

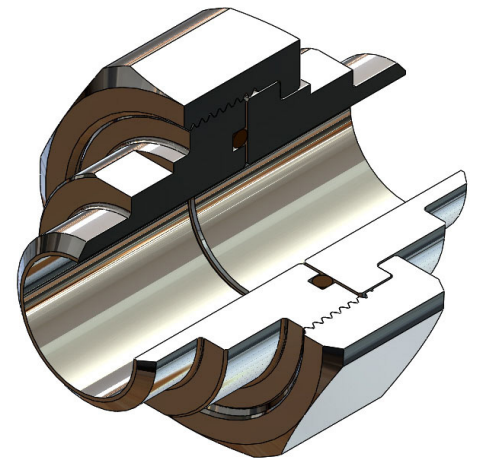
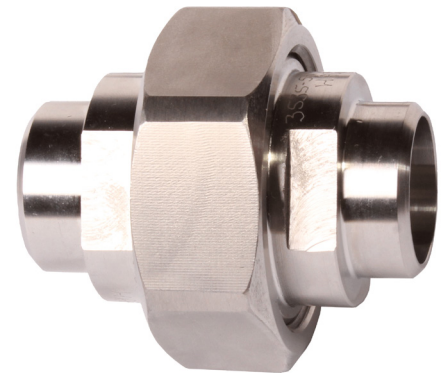


3535 Series Butt Weld Pipe Union, Class 3000

HART Industrial O-Ring Unions are engineered to provide Class 3000 Service and are the most popular union in the industry for general purpose applications. The flat face design provides turbulence-free fit across seats. This design is ideal where piping requirements dictate the necessity of having a flat face seal to make and break the pipe line. All HART Unions are made in the USA!

Standard O-Ring Union Features:

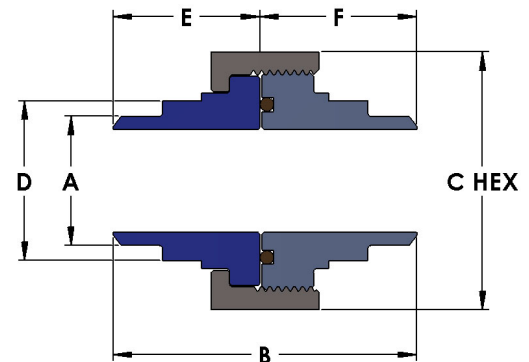
- **Turbulence Free:** All unions provide a turbulence-free fit across the seats
- **O-Ring Isolation:** The O-Ring seal is strategically located in the thread piece face eliminating O-Ring media contact and added protection against abrasives and erosion. A variety of O-Rings for any application are available.
- **Precision Machined Components:** All unions are precision machined to provide high quality and fail-safe leak proof reliability.
- **Interchangeable End Connections:** Threaded (female and male), socket weld, and butt weld ends are interchangeable. This feature reduces overall costs by eliminating unnecessary nipples, bushings, couplings and inserts.
- **Material Versatility:** Unions can be provided in all standard metals or combination of metals. This includes 304 Stainless, 316 Stainless, A105 Carbon Steel, Brass, Monel 400, Hastalloy, and Titanium.
- **Excellent Vibration Resistance:** Seals will not loosen, even under extreme pressure and pressure surges.
- **No Maintenance:** Once initial seal is made, no further tightening required.



Union Dimensional Reference:

SIZE	A-NPS	B	C-HEX	D-FLATS	E-TAIL	F-THREAD	WEIGHT
3535-1	1/4"	2.63	1.50	0.75	1.28	1.33	0.33
3535-2	3/8"	2.87	1.69	0.87	1.41	1.44	0.4
3535-3	1/2"	2.93	1.87	1.06	1.42	1.49	0.7
3535-4	3/4"	3.06	2.20	1.25	1.46	1.58	1
3535-5	1"	3.09	2.62	1.62	1.49	1.58	1.75
3535-6	1-1/4"	3.27	3.06	1.87	1.61	1.62	2.5
3535-7	1-1/2"	3.30	3.37	2.12	1.65	1.62	3.5
3535-8	2"	3.52	4.14	2.75	1.71	1.78	4.25
3535-9	2-1/2"	3.62	5.00	3.25	1.78	1.81	6
3535-10	3"	3.68	5.62	4.00	1.84	1.81	8

NOTE: Dimensions are for reference only and are subject to change.



Questions? Call us at 1-800-769-0503. Our Customer Service and Engineering Teams are available to assist you with any needs!